

WDK 雾笛控制器 Fog horn controller

概述

Overview

WDK型雾笛控制器是船舶在雾天航行时控制气笛和雾灯发出周期性的声响和灯光信号，以确保船舶安全航行的设备。雾笛控制器外形美观，操作简便，发信周期精确，是一种新颖的船用气笛配套产品。

WDK fog horn controller is a device used to control the siren and fog lights to send out periodic sound and light signal when the ship is sailing in a foggy day, so that the safety of ships can be insured. The product is a novelty marine siren corollary product with beautiful appearance, easy operation and accurate signaling cycle.

产品特点

Product features

- 控制面板采用LED指示、按键操作，外形美观，指示清晰，便于操作与维护；
The control panel is provided with LED display and key operation, with nice appearance, clear indication, and easy to operate and maintain;
- 控制面板具有本地调光功能，同时具有远程统一调光的CAN接口；
The panel has a local dimming function, with a CAN interface for remote unified dimming;
- 采用主备电双路供电，自动切换，保证系统稳定持续工作；
With main and standby two power supplies which switch automatically to ensure the steady and continuous working of the system;
- 具有手动和自动控制方式；
With manual and automatic control modes;
- 具有多种雾笛发讯模式；
With many kinds of fog horn signal transmitting modes;
- 具有雾笛加热功能；
With fog horn heating function;
- 具有与通用报警控制器和信号灯控制器的接口；
With general alarm controller and signal light controller interface;
- 可配置雾笛和雾灯（选配）。
Configurable fog horn and fog lights (optional).

产品组成

Product composition

- 雾笛控制面板
Fog horn control panel
- 电源控制箱
Power control box



技术指标

Technical index

- 工作电压：单相AC220V±10%，50/60Hz
Working power: single-phase AC220V ±10%, 50/60Hz
- 控制方式：自动/手动
Control modes: automatic/manual
- 通信接口：1路CAN、2路RS485
Communication interface: 1-way CAN and 2-way RS485
- 环境温度：-10°C~55°C
Working temperature: -10°C~55°C
- 输出信号：雾笛电磁阀（DC220V/0.5A 二路）
雾笛加热器（AC220V/5A 二路）
雾灯（AC220V/1A 二路）
雾灯（无源常开触点 二路）
Output signal:
Fog horn solenoid valve (DC220V/0.5A, two-way)
Fog horn heater (AC220V/5A, two-way)
Fog light (AC220V/1A, two-way)
Fog light (Passive normally open contact, two-way)
- 输入信号：遥控按钮(无源常开)
莫氏灯电键(无源常开)
通用报警(无源常开)
Input signal: Remote control button (passive normally open)
Morse light button (passive normally open)
General alarm (passive normally open)
- 安装方式：雾笛控制面板 嵌入式
电源控制箱 壁挂式
Installation: Fog horn control panel flush-type
Power control box wall-mounted
- 防护等级：雾笛控制面板 IP20
电源控制箱 IP23
Protection grade: Fog horn control panel IP20
Power control box IP23

产品标准尺寸见下表：

Product Standard sizes are shown in the following table:

设备名称 Equipment name	外形尺寸mm Outline dimensions (mm)			安装尺寸mm Installation dimensions (mm)		备注 Remarks
	宽 W	高 H	深 D	宽 W	高 H	
雾笛控制面板 Fog horn control panel	192	192	50	167	167	Fig.1
电源控制箱 Power control box	500	500	210	380	540	Fig.2

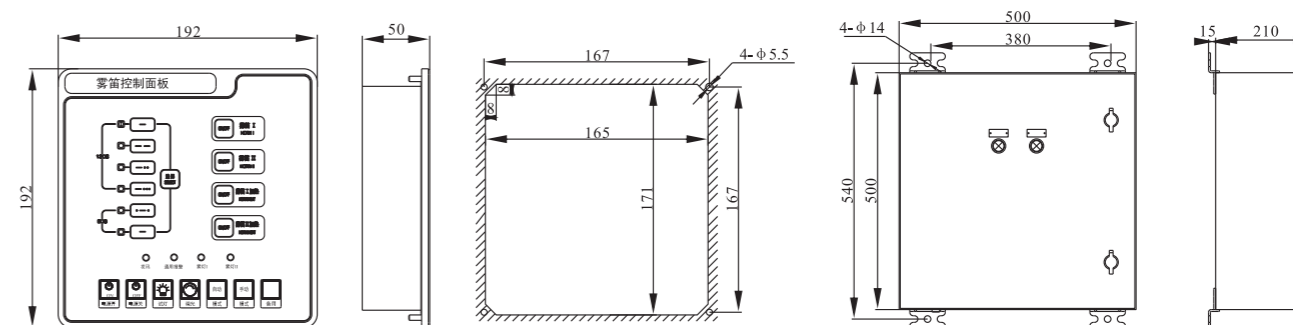


Fig.1

Fig.2

型号命名

Model naming

产品型号：雾笛控制器
Product model: Fog horn controller

WDK -A1

产品设计代号
Product design code

选型说明

Selection description

例：WDK-A1

表示：雾笛控制器

For example: WDK-A1

It means: fog horn controller

系统图

System diagram

