

ERC 舵传令钟系统 Steering telegraph system

概述

Overview

ERC型舵传令钟系统是船舶在紧急情况下，由驾驶室向机舱或集控室传达操作舵机转角指令的信号联络装置。

ERC Steering telegraph system is a product by which the wheelhouse sends steering engine turn-angle order to the engine room or engine control room in an emergency.

产品特点

Product features

- 控制面板采用LED指示、按键操作，外形美观，指示清晰，便于操作与维护；
The control panel is provided with LED display and key operation, with nice appearance, clear indication, and easy to operate and maintain;
- 控制面板具有本地调光功能，同时具有远程统一调光的CAN接口；
The panel has a local dimming function, and a CAN interface for remote unified dimming;
- 采用CAN通信，能进行远距离可靠通信；
Using CAN communication, capable of reliable long distance communication;
- 具有发令、回令功能；
With command and reply function;
- 具有对外通信接口和VDR接口。
With external communication interface and VDR interface.

产品组成

Product composition

- 舵传令钟发信器
Steering telegraph transmitter
- 舵传令钟收信器
Steering telegraph receiver
- 报警电笛
Alarm siren



技术指标

Technical index

■ 工作电压: DC24V±20%

Working voltage: DC24V±20%

■ 操纵命令:

九档: 满舵, 15°, 10°, 5°, 0°, 5°, 10°, 15°, 满舵

十三档: 满舵, 25°, 20°, 15°, 10°, 5°, 0°, 5°, 10°, 15°, 20°, 25°, 满舵

Operation commands:

9 gears: full rudder, 15°, 10°, 5°, 0°, 5°, 10°, 15°, full rudder

13 gears: full rudder, 25°, 20°, 15°, 10°, 5°, 0°, 5°, 10°, 15°, 20°, 25°, full rudder

■ 通信接口: 1路CAN、1路RS485 (符合IEC61162标准)

Communication interface: 1-way CAN, 1-way RS485 (in compliance with IEC61162)

■ 环境温度: -10°C~55°C

Working temperature: -10°C~55°C

■ 安装方式: 嵌入式、壁挂式

Installation: flush-type, wall-mounted type

■ 防护等级: IP20(嵌入式)、IP44 (壁挂式)

Protection grade: IP20(flush-type)、IP44(wall-mounted type)

■ 产品标准尺寸见下表:

Product standard sizes are shown in the following table:

设备名称 Equipment name	外形尺寸mm Outline dimensions (mm)			安装尺寸mm Installation dimensions (mm)		备注 Remarks
	宽 W	高 H	深 D	宽 W	高 H	
舵传令钟发信器 Steering telegraph transmitter	192	192	50	167	167	Fig.1
舵传令钟受信器 Steering telegraph receiver	250	300	120	270	260	Fig.2

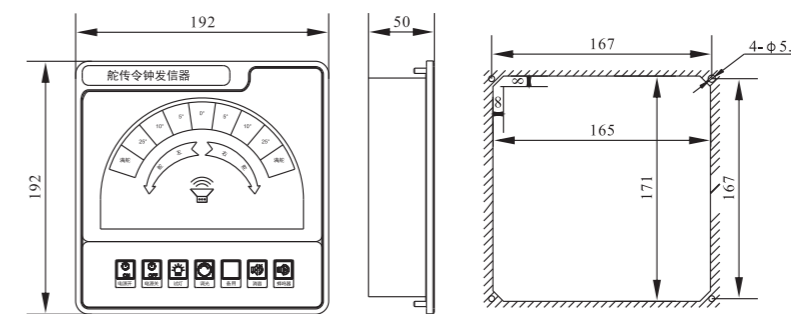


Fig.1

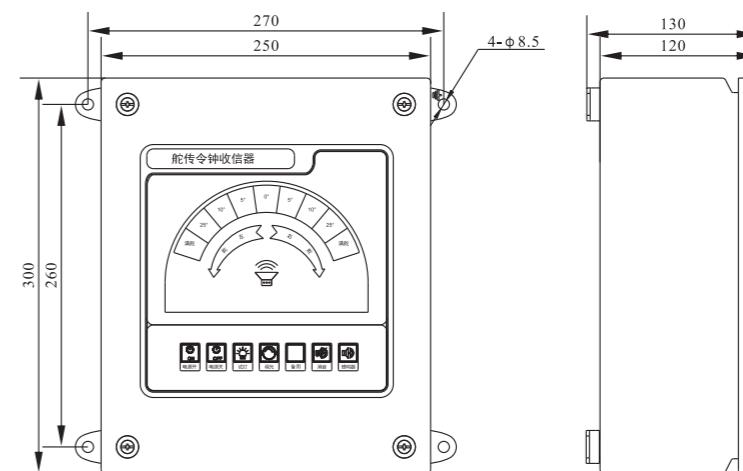


Fig.2

型号命名

Model naming

产品型号: 舵传令钟系统 Product model: Steering telegraph system	ERC	-	□	□	/□
设备名称 T:发信器, R:受信器 Equipment name: T: transmitter, R: receiver					
指令数 9、13 Number of commands 9、13					
安装方式 Q:嵌入式, B:壁挂式 Installation: Q: Flush-type, B: Wall-mounted					

选型说明

Selection description

例: ERC-T9/Q

表示: 9档的嵌入式舵传令钟发信器

For example: ERC-T9/Q

It means: 9-gear flush-type steering telegraph transmitter