

TPS型 防盗报警装置 Anti-theft alarm device

▶ 概述 Overview



TPS型防盗报警装置能对舱室进行防盗探测，具有防盗声光报警、安全控制等功能，是确保重要舱室安全、可靠必不可少的装置。

TPS anti-theft alarm device can conduct cabin anti-theft detection, with anti-theft sound and light alarm, security control and other functions. It is an essential device to ensure that the vital cabins are safe and reliable.

▶ 产品特点 Product features

- 装置通过键盘对防区进行布防、撤防，采用先进的可编程数字密码键盘，操作方便，可靠性高。采用4线式“键盘总线”与报警主机间进行通信连接，可实现多舱室防盗监测。

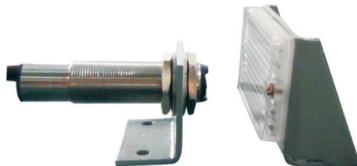
The device is used for deployment and disarming of defense areas via the keypad, which is an advanced programmable digital password keypad, with convenient operation and high reliability. Four-wire ‘keypad bus’ is used for communication and connection with the alarm host to realize multi-cabin anti-theft detection.

- 蓄电池作为备用电源，保证系统的“续航”能力；具有主电失电报警功能，同时系统还具有试灯、消音及复位等功能。

Storage battery as standby power supply can ensure the system’s ‘cruising’ capability; the system is provided with main power loss alarm function, and also with lamp test, silence, reset and other functions

- 可为用户提供最大的灵活性与便捷性，具有多种探测方式方便用户自由扩展。

The device can provide maximum flexibility and convenience to users, and there are many detecting ways for users to expand freely.



▶ 产品功能

Product functions

- 正常出入被监视舱室，即使用密码键盘开关进入时，系统报警处于撤防状态，即不报警
Normal access to the cabins being detected, that is, in the case of using the password keypad to enter the cabins, the system alarm is inhibited.
- 当被监视舱室有非法入侵者时，监视部位能发出声光报警信号，并指示对应舱室名称
When there are illegal invaders into a monitored cabin, the monitored site can emit a sound and light alarm signal, and the corresponding cabin name is indicated.
- 报警装置具有自检、消音及复位功能
Alarm device has self-test, silence and rest functions.
- 装置具有后备电源，在主电源失电的情况下，能维持工作12小时以上
The device has a standby power supply, and it can maintain working for 12 hours or more in the case of main power loss.
- 主电源失电时，主控装置面板具有声光报警
In the case of main power loss, the main control device gives out a sound and light alarm.
- 装置对外有延伸报警输出
The device has extended alarm output.

▶ 产品组成

Product composition

- 防盗报警控制箱
Anti-theft alarm control box
- 声光报警器
Sound and light alarm
- 防盗探测器
Anti-theft detector
- 限位开关
Limit switch
- 撤防布防控制盒
Disarm and deploy defense control box

▶ 技术指标

Technical index

防盗报警控制箱

Anti-theft alarm control box

- 主电源：单相 AC220V ± 10% 50Hz/60Hz
Main power supply: single-phase AC220V (± 10%) 50/60Hz
- 辅电源：DC12V 蓄电池，当主电源失电时，蓄电池电源自动投入使用，同时装置发出（主电源失电）声光报警
Auxiliary power supply: DC12V storage battery, in the case of main power loss, the battery will be automatically put into use, and meanwhile the device will issue sound and light alarm.
- 环境温度：0℃ ~ 55℃
Ambient temperature: 0℃ ~ 55℃
- 功耗：30W
Power consumption: 30W

撤防布防控制盒

Disarm and deploy defense control box

- 额定电压: DC12V
Rated voltage: DC12V
- 防护等级: IP23、IP44、IP56
Ingress protection: IP 23, IP 44, IP 56

防盗探测器

Anti-theft detector

- 防护等级: IP66
Ingress protection: IP 66
- 防爆等级: Exd IICT6
Explosive-proof level: Exd IICT6
- 防护等级: IP44、IP56
Ingress protection: IP 44, IP 56
- 探测距离: 探头前方2米
Detection range: 2m ahead the probe
- 安装位置: 安装在舱室内门侧壁高1米左右, 探头方向垂直于门的方向, 反射板需和探头在同一水平线, 探头前方不能有障碍物遮挡
Installation site: be installed in the height of about 1m near the sidewall of inside door of the cabin; the direction of the probe is vertical to the direction of the door; the baffle-board and the probe are on the same horizon; No obstacle ahead the probe

■ 产品标准尺寸见下表:

Product standard sizes are shown in the following table:

设备名称 Equipment name	外形尺寸mm Outline dimensions (mm)			安装尺寸 Installation dimensions (mm)		备注 Remarks
	宽 W	高 H	深 D	宽 W	高 H	
防盗报警控制箱 Anti-theft alarm control box	500	600	250	442	640	Fig.1
撤防布防控制盒 Disarm and deploy defense control box	300	300	160	160	340	Fig.2
声光报警器 Sound and light alarm	88	131	112	50	60	Fig.3
防盗探测器 Anti-theft detector	50	40	77	35	-	Fig.4
限位开关 Limit switch	217	62	74	45	102	Fig.5

声光报警器

Sound and light alarm

- 额定电压: DC12V
Rated voltage: DC12V
- 颜色: 红色
Color: red
- 防护等级: IP44、IP56
Ingress protection: IP 44, IP 56

限位开关

Limit switch

- 防护等级: IP54
Ingress protection: IP 54
- 防爆等级: Exd IICT6
Explosive-proof level: Exd IICT6
- 材料: 铸铝合金
Material: cast aluminum alloy
- 触发形式: 直动式、转动式; 直动式限位开关适用于安装在舱口盖处, 转动式适用于安装在门口处
Trigger mode: direct-acting mode, rotary mode; the direct-acting mode limit switch is suitable to be installed near the cover of the cabin; rotary mode limit switch is suitable to be installed near the door.

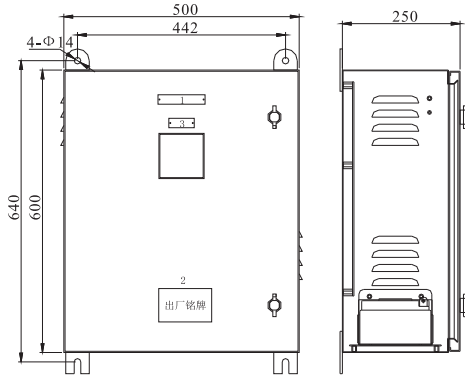


Fig.1

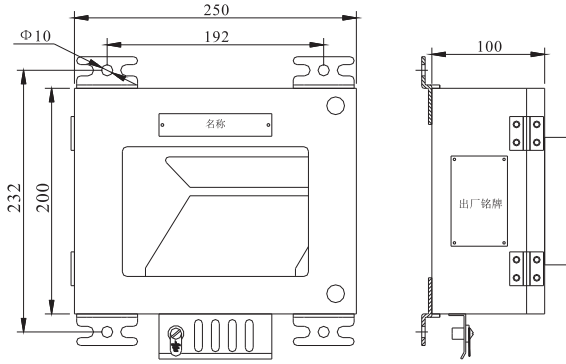


Fig.2

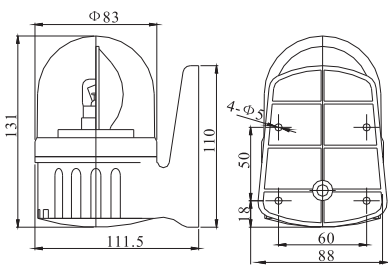


Fig.3

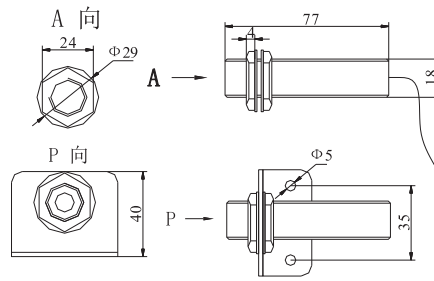


Fig.4

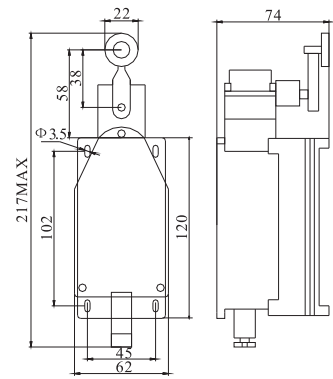


Fig.5

型号命名

Model naming

防盗报警装置 TPS -M2
 Anti-theft alarm device

电源: AC220V
 Power supply: AC220V

防盗报警装置 FD -JP
 Anti-theft alarm device

密码键盘
 Password keypad